

LOC		DIST		REVISIONS				DATE	APPD
ZONE	LTR	DESCRIPTION		DATE	APPD				
CE	16	P	F	C	REV PER	0A00-0318-96	7-8-96	DDE	

- ① CONNECTOR ASSY: AL, SST
 BOOT: THERMOPLASTIC ELASTOMER
 STEPPED SLEEVE: BRASS/COPPER
 PLUNGER: AL
- ② STEPPED SLEEVE: Ni
- 3. ALL PART NO'S ARE BULK PACKAGED
 100 PCS/BAG

TUBING, TYGON
 (-1 ONLY)
 AVAILABLE SEPERATELY IN
 BULK PACKAGE AS 502179-8

BOOT, LONG
 (-1 & -3 ONLY)
 AVAILABLE SEPERATELY IN
 BULK PACKAGE AS 504631-2

STEPPED SLEEVE
 (-1 & -3 ONLY)
 AVAILABLE SEPERATELY IN
 BULK PACKAGE AS 5041110-4

LARGE DIAMETER BLACK PVC TUBING
 FOR USE WITH CABLE JACKETS LESS
 THAN 2.3 mm (-1 & -3 ONLY)

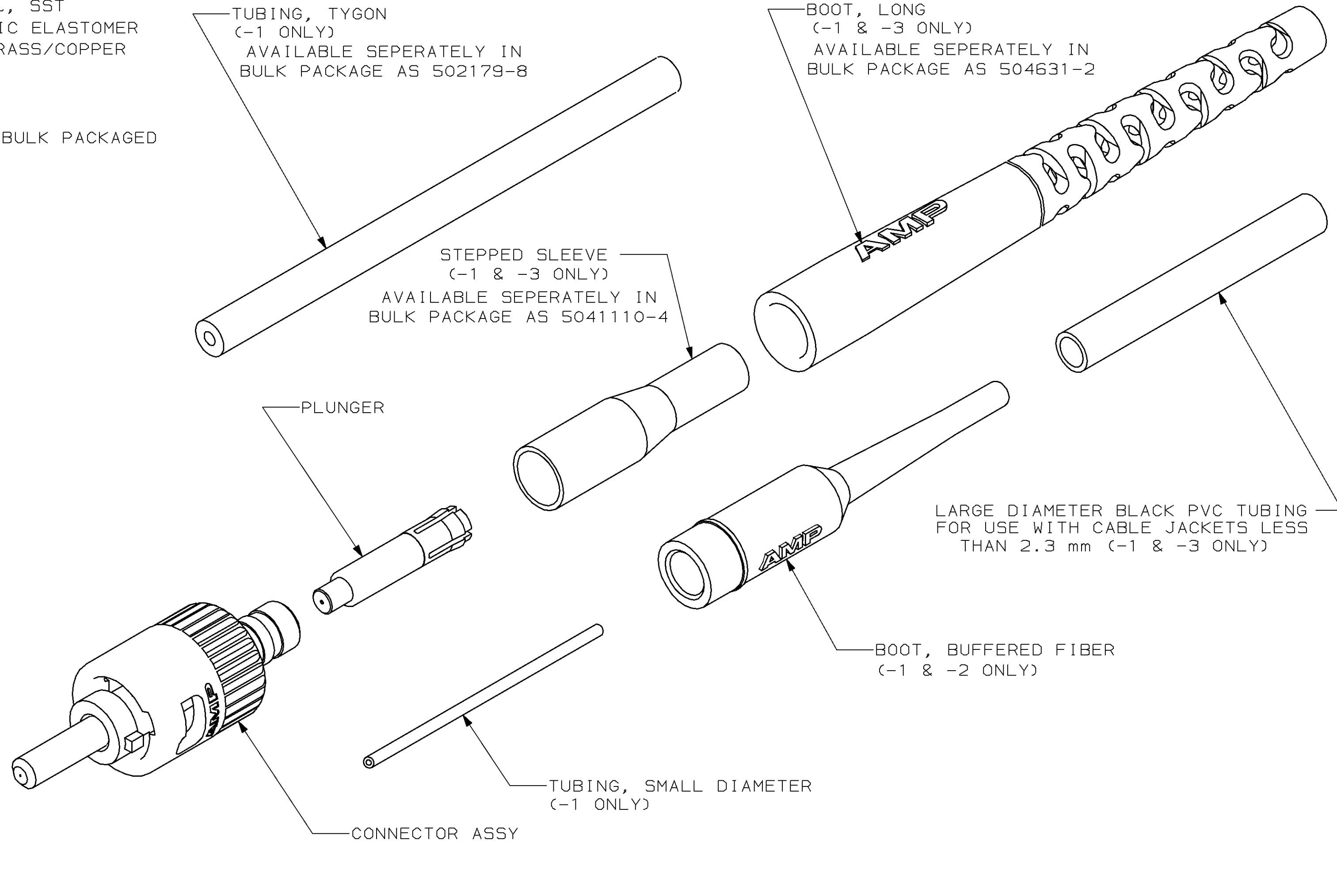
BOOT, BUFFERED FIBER
 (-1 & -2 ONLY)

TUBING, SMALL DIAMETER
 (-1 ONLY)

DUST COVER

CONNECTOR ASSY

PLUNGER



STEPPED SLEEVE	BOOT, LONG, BLK	3.0mm JACKETED CABLE	503904-3
-	BOOT, BUFF FIBER, BLK	900µm BUFFERED	503904-2
STEPPED SLEEVE	BOOT, LONG, BLK	3.0mm/900µm/250µm	503904-1
CRIMP SLEEVE	BOOT TYPE	DESCRIPTION	PART NO
DO NOT SCALE PRINT. UNLESS SPECIFIED DIMENSIONS IN mm [INCHES] TOLERANCES ON: 2 PLC DEC ± - 3 PLC DEC ± - ANGLES ± -	DR 2-8-95 D ERDMAN	AMP Incorporated Harrisburg, PA 17105-3608	NAME KIT, CONNECTOR, 125µm LightCrimp XTC SST, BULK PACKAGED
	CHK 2-8-95 J MCKEE		
APPD 2-8-95 J MCKEE			
APPD 2-8-95 B EDWARDS			
MATERIAL	PRODUCT SPEC	SIZE	CAGE CODE
①	-	C	00779
FINISH	APPLICATION SPEC	DRAWING NO	
②	-	C=503904	
	WEIGHT	SCALE	SHEET
	-	-	1 OF 1

THIS DRAWING IS A CONTROLLED DOCUMENT FOR
 AMP INCORPORATED. IT IS SUBJECT TO CHANGE
 AND THE CONTROLLING ENGINEERING ORGANIZATION
 SHOULD BE CONTACTED FOR THE LATEST REVISION.